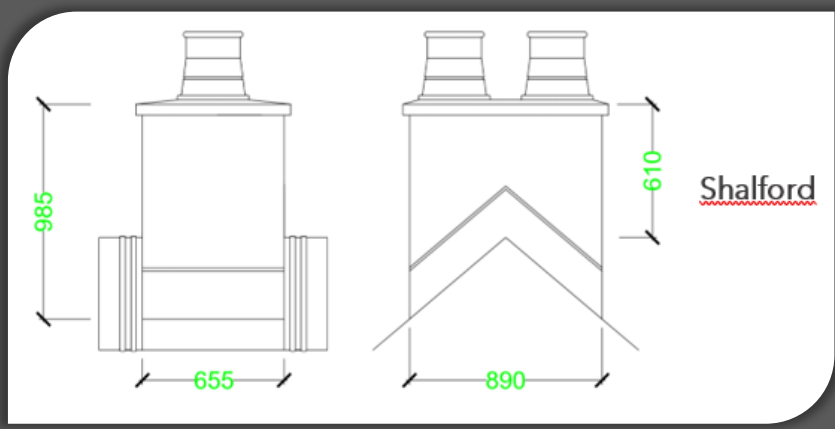
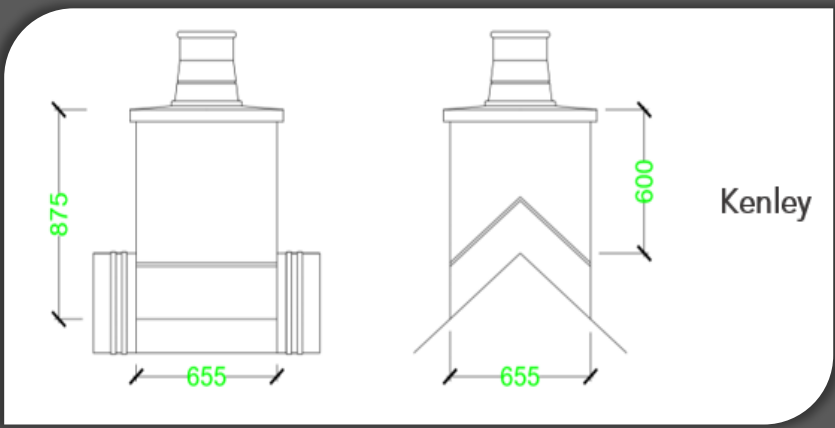
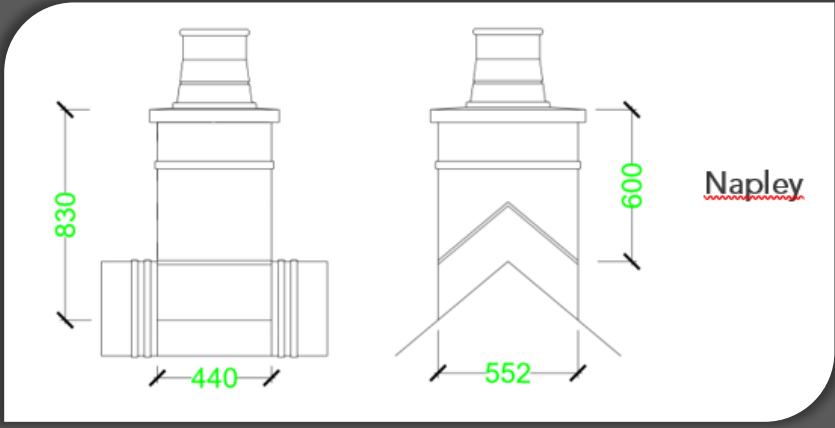


THE LITESTACK DEVELOPER RANGE



NOTE: All sizes are approximate. Also available in Mono and End Ridge positions.

Setting the Standard in GRP Construction Finishes

Registered Office: GRP Building Products Ltd. Unit 2A, Ham Lane, Kingswinford, DY6 7JU.

Registered in England & Wales, No. 03639048. VAT Registration No. GB462302969 ©2016 GRP Building Products Ltd

THE LITESTACK DEVELOPER RANGE

As the momentum for lightweight pre-fabricated chimneys continues to accelerate, we are increasingly being tasked with providing more compact sized units alongside our already established standard Litestack product range.

We have therefore introduced a "compact" range of brick effect styles to provide a cost effective option, without compromising on quality, to compliment the premier range of products that we currently offer.



Litestack Chimneys provide a range of complete chimney solutions based on a ready to install, one-piece chimney stack. Lightweight and very easy to use, the chimneys are simply lifted into position, bolted onto the roof trusses and leaded in the normal manner.



For more information on our Litestack chimney ranges, call us on 01384 354354

Setting the Standard in GRP Construction Finishes

Registered Office: GRP Building Products Ltd, Unit 2A, Ham Lane, Kingswinford, DY6 7JU.

Registered in England & Wales, No. 03639048. VAT Registration No. GB462302969 ©2016 GRP Building Products Ltd