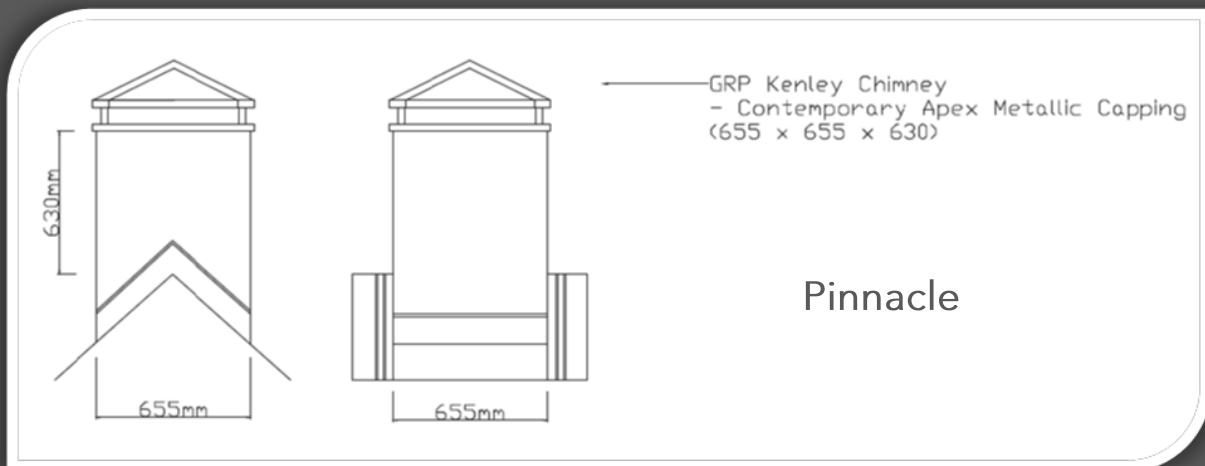
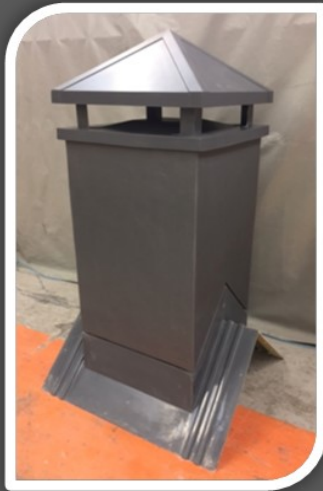


CONTEMPORARY CHIMNEY RANGE

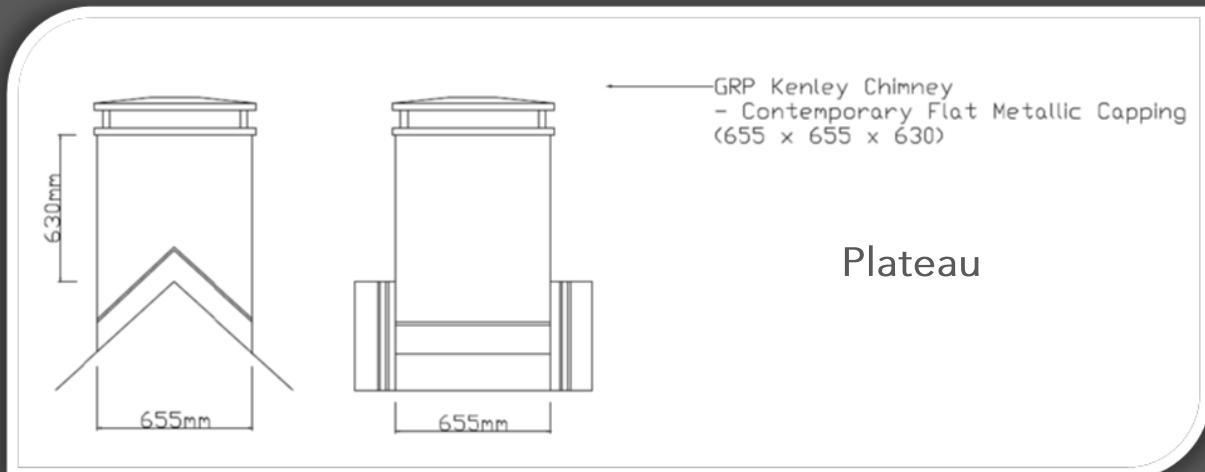


Providing architectural detail to modern builds is made easier with our Contemporary range of chimney units. Based around our 'Kenley' design, multiple combinations can be achieved with interchangeable roof situations, textured body finishes and capping options.

As you would expect from GRP Building Products, these innovative features are lightweight, easy to fit, and quality assured by the CGFMA.



CONTEMPORARY CHIMNEY RANGE



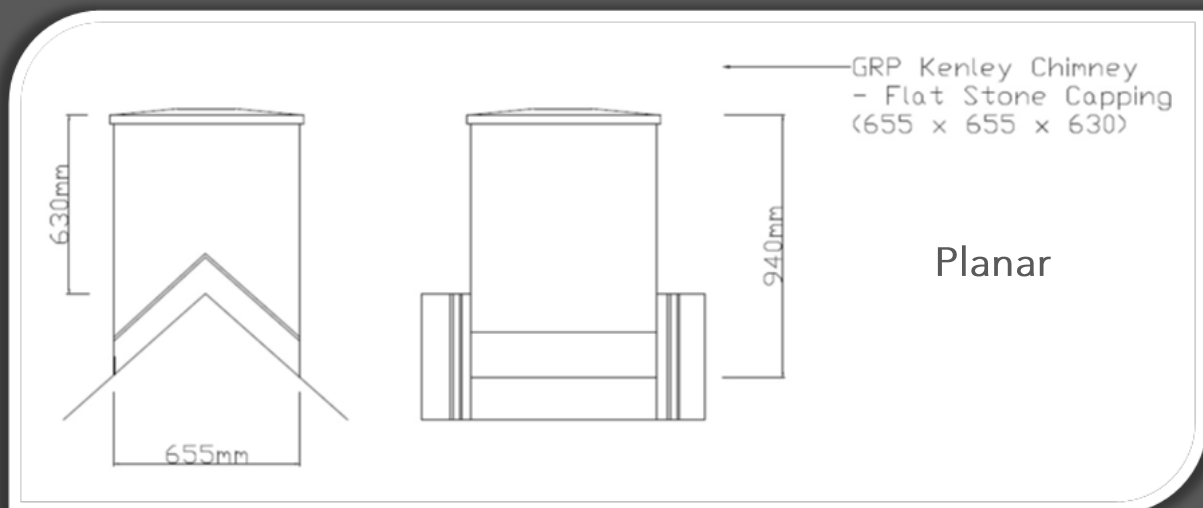
Choose your textured finish:

- Lead Effect
- Stock Brick Effect
- Smooth Render Effect

Choose your colour:-

- Match to RAL or British Standard colour references
- Match to existing brick colour or advise brick manufacturer reference
- Match to K-Rend, Weber or other render colour, or masonry paint such as Sandtex

CONTEMPORARY CHIMNEY RANGE



Choose your capping style:

- Pinnacle— A pyramid, vented-effect capping, with a smooth metallic style surface finish
- Plateau—A sloped-edge, vented-effect capping with a smooth metallic style surface finish
- Planar—A shallow, sloping capping with a stone effect surface finish

(NOTE: VENTED-EFFECT CAPPINGS ARE COMPLETELY ENCLOSED WITH NO VOIDS)

Choose your roof position:

- Mid-Ridge
- End Ridge
- Mono Pitched

**SEE OUR CORRESPONDING
CONTEMPORARY CHIMNEY
SPECIFICATION SHEET FOR
MORE DETAILS**