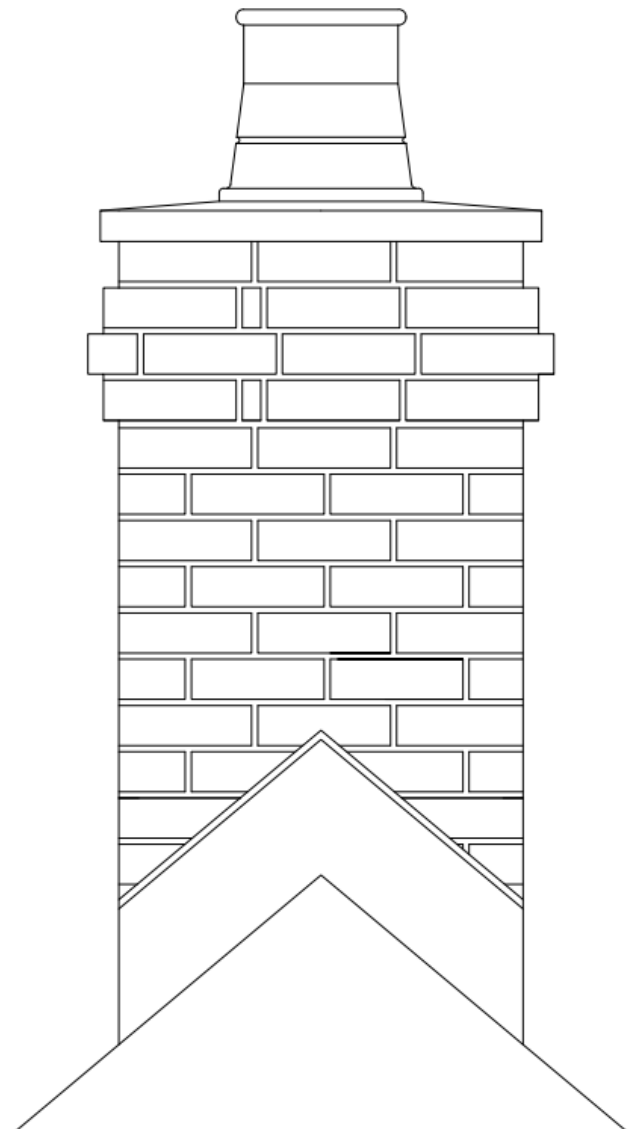


MID-RIDGE

Standard *Litestack* Chimney Fitting Instructions



MID-RIDGE

STANDARD LITESTACK CHIMNEY FITTING INSTRUCTIONS

HEALTH & SAFETY

WARNING: THESE INSTRUCTIONS ASSUME THAT THE CHIMNEY IS BEING FITTED BY A PROFESSIONAL CONSTRUCTION WORKER FAMILIAR WITH THE HEALTH AND SAFETY ASPECTS OF WORKING ON A BUILDING SITE AND FAMILIAR WITH TIMBER ROOF CONSTRUCTION.

WARNING: Parts of the *Litestack* chimney may be sharp and the construction material can cause irritation to the skin. It is recommended that protective gloves are worn when handling the chimney, and a face mask is recommended to avoid inhaling dust when drilling through the saddle.

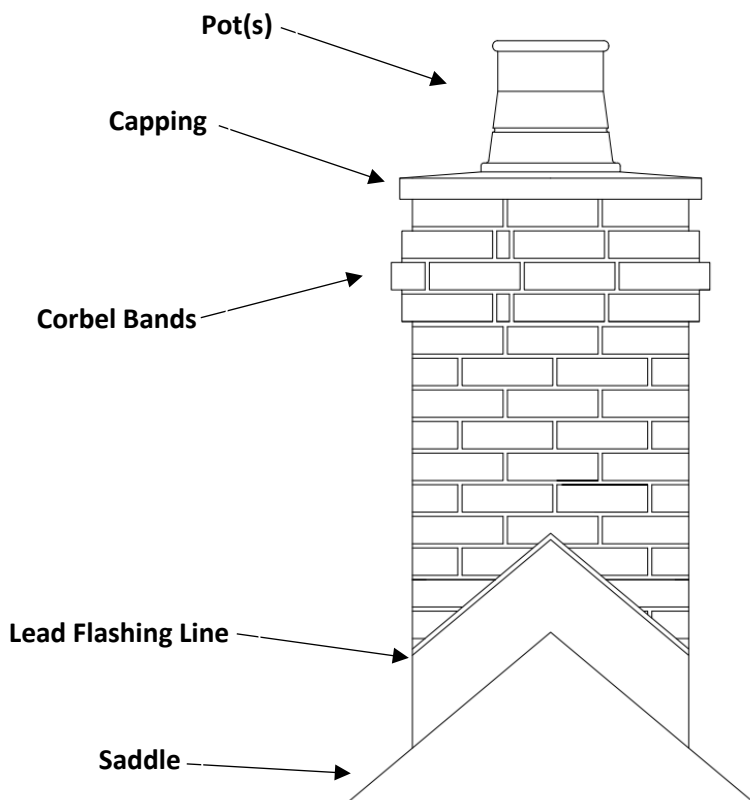
ANY WARRANTY WILL BE VOID IF THE CHIMNEY IS NOT FITTED IN THE MANNER DESCRIBED IN THESE INSTRUCTIONS AND WITH THE FITTING KIT PROVIDED.

UNDER NO CIRCUMSTANCES SHOULD THE SADDLE BE FITTED WITH A NAIL GUN OR ANY ATTEMPT BE MADE TO PIERCE THE SADDLE WITHOUT DRILLING THE CORRECT SIZE HOLE.

LITESTACK CHIMNEYS SHOULD AVOID UNNECESSARY MOVEMENT OR REMAIN ATTACHED TO THEIR DELIVERY PALLETS UNTIL THEY ARE LOCATED READY TO BE LIFTED INTO POSITION ONTO THE ROOF. A *LITESTACK* LIFTING HARNESS IS SUPPLIED FOR LIFTING PURPOSES.

WARNING: TV AERIALS OR SATELLITE DISHES OR ANY SIMILAR ITEMS MUST NOT BE FITTED TO *LITESTACK* CHIMNEYS AND DOING SO WILL INVALIDATE THE WARRANTY. IT IS THE CONTRACTOR'S RESPONSIBILITY TO ENSURE THAT THIS INFORMATION IS PASSED ON TO THE OWNERS OR PURCHASERS OF THE PROPERTY.

Fig 1.



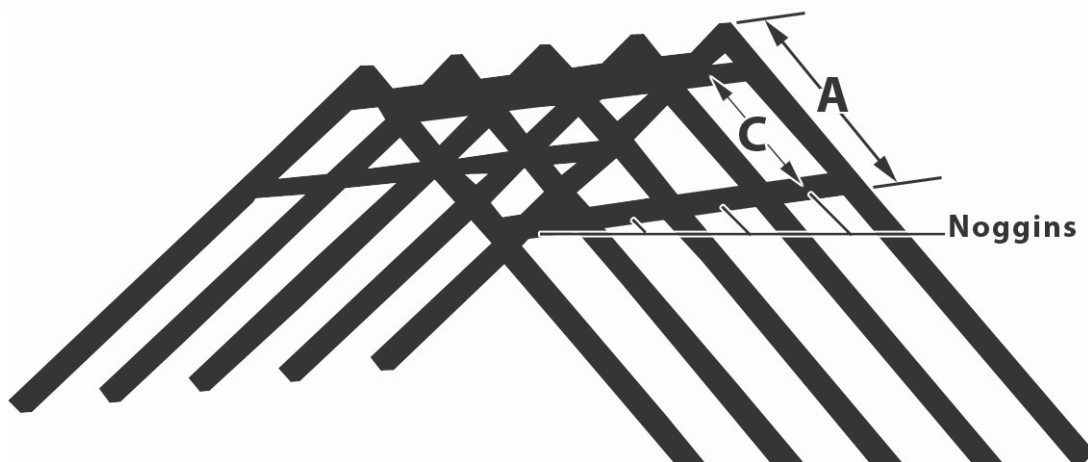
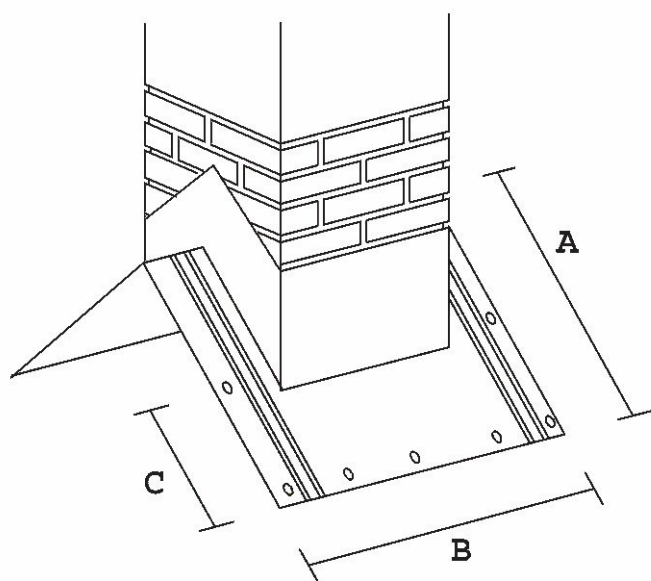
N.B. Litestack chimneys should be fitted after the rafters are secured in place and the roof is felted, but before the laths are fitted.

STEP 1

Before the chimney is lifted onto the roof, measure the saddle dimensions "A", "B" and "C". Fit 75mm x 50mm (3" x 2") noggins flush with the outside edge between the rafters and securely attach using appropriate size nails or screws (not supplied) in the locations shown in **Fig 2**. Saddle length varies with chimney size so the number of noggins required to create length B will depend on the rafter spacing and the saddle size. Fit the same noggins to both roof pitches in the same locations. (Not illustrated).

Ensure 3 layers of roof felt are secured to the roof under the chimney location. This must be equal to the saddle size with a minimum of 300mm extra in each plane.

Fig 2.



STEP 2

When using the supplied lifting harness, pull the adjustable belt strap loosely around the lifting course.

Adjust the 4 lifting straps by sliding them around the lifting belt so that each one is in the Centre of a flat side of the chimney. **Fig 3.**

Tighten the belt strap with the locking cam located on a corner position tight enough so as not to be able to slide over the bottom corbelled course.

Make sure the webbing is threaded properly through the clasp so as it will not slip. **Fig 3.**

The lifting harness is designed to lift a variety of sizes of *Litestack* chimneys, so there will be a considerable length of spare belt strap on the smaller chimneys.

Care should be taken to ensure the excess belt strap is tucked through the belt loop and any further excess is tied neatly so as not to catch or trap.

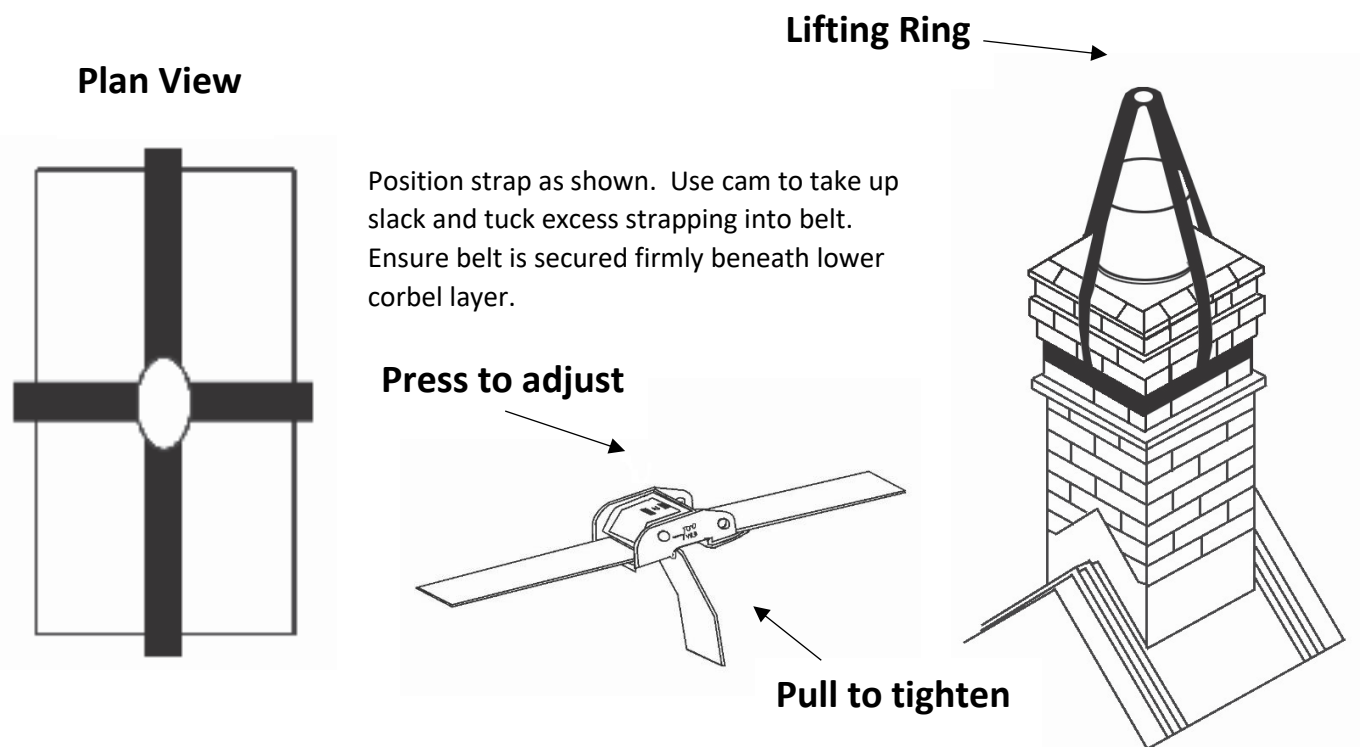
The lifting appliance hook should be put through the lifting ring and, if palletised, the chimney should be cut free from the pallet.

The *Litestack* chimney can now be lifted and lowered into position, being careful not to rest the weight of the chimney on the saddle until it is supported by the rafters and noggins.

It is recommended that the lift harness is not released until the chimney has been secured to the noggins and rafters with the coach screws provided.

Litestack chimneys vary in weight dependent upon the model. Although they are light by normal chimney standards, care should be taken to ensure the lifting gear used to raise the chimney is of sufficient capacity and reach.

Fig 3.



Ensure cam is threaded correctly and will not allow slack.

STEP 3

The saddle is pre-marked to show where to drill through and into the wood below.

For the coach screws, make a **15mm deep** pilot hole using an 8.5mm drill.

Fit stainless-steel washer and tap coach screw lightly to bite and screw home securely using 13mm spanner.

SPECIAL FIXINGS

The standard fixing kit provided contains 14 coach screws and stainless-steel washers, which are used to fit most chimneys. In addition, the fixing kit also includes 4 nuts and 150mm bolts for extra security for chimneys that are taller than 1200mm on the longest side. These may also be used in particularly exposed locations renowned for high winds. Additional and more substantial noggins may be needed if using the nuts and bolts.

ROOF FELTING

The *Litestack* chimney is now secured. If the roof felt to the main roof is still to be fitted, this can be performed in the conventional manner and lapped as necessary to suit the protruding roof felt, as described in **STEP 1**.

N.B. Do not nail to secure felt through the saddle.

TILE LATHS

Tile laths should also be located as per a conventional chimney but again, only nailed around the saddle, not nailed through the saddle. Laths that go straight across the saddle above or below the chimney should be in one piece with no joins. Laths should cross water grooves in the saddle and secured as described above, laths should fall 50mm short of the side of the chimney.

ROOF TILES

Tile as per a roof fitted with a conventional chimney.

LEAD FLASHING

To perfect the authentic look of the *Litestack* chimney, it is designed to be lead flashed in the traditional manner but using the lead flashing channel line where the brickwork meets the grey saddle. A proprietary brand of lead flashing mastic should be used, and the lead should flash over the tiles in the conventional manner for a watertight finish and a traditional appearance.

PLEASE NOTE:

ANY WARRANTY WILL BE VOID IF THE CHIMNEY IS NOT FITTED IN THE MANNER DESCRIBED IN THESE INSTRUCTIONS AND WITH THE FITTING KIT PROVIDED.

For any further advice or information please contact us:

01384 354354

info@grpbuildingproducts.co.uk

